

CH03-HB - Micro SIM Card Connector Hinged Type, 6 Pin, SMT, 1.75mm Profile

FEATURES

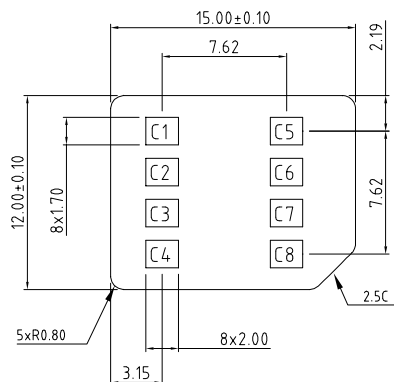
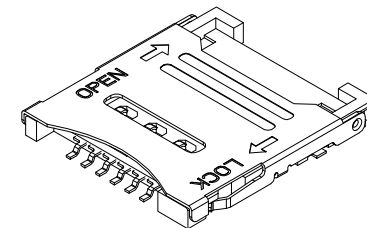
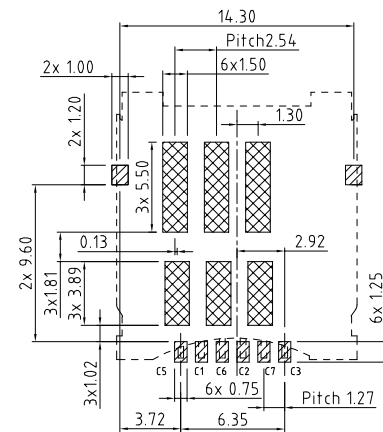
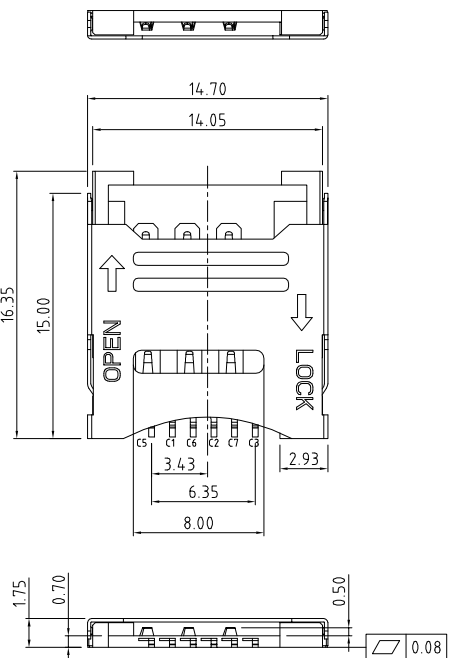
1. GENERAL CHARACTERISTICS
 DIMENSIONS: 16.35L x 14.7W x 1.75H mm
 WEIGHT: APPROX. 0.47g
 CONTACT PRINCIPLE: FRICTION TECHNOLOGY
 OPERATING POSITION: SHAFT UP / DOWN / HORIZONTAL
 MOUNTING SYSTEM: SMT TYPE (WITHOUT POST)
 DURABILITY: 5,000 CYCLES MIN.

2. MECHANICAL CHARACTERISTICS
 INSULATION MATERIAL: LCP, UL 94V-0, BLACK
 CONTACT TERMINAL: PHOSPHOR BRONZE, GOLD PLATING
 METALLIC SHELL: STAINLESS STEEL, NICKEL PLATING
 ROHS DIRECTIVE 2011/65/EC COMPLIANT

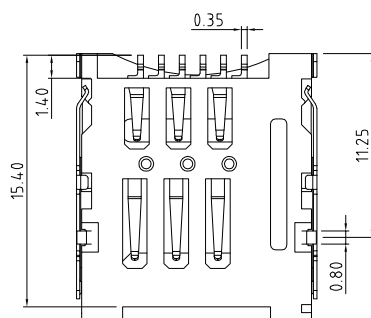
3. ELECTRICAL CHARACTERISTICS
 NUMBER OF CONTACTS: 6 PINS
 CONTACT RESISTANCE: 100m OHMS MAX.
 INSULATION RESISTANCE: > 1000M OHMS MIN.
 DIELECTRIC WITHSTAND VOLTAGE: 500 V AC

4. SOLDERABILITY
 IR REFLOW: 250°C, 15 SEC. MAX.
 MANUAL SOLDERING: 360°C, 3 SEC. MAX.

5. ENVIRONMENTAL CHARACTERISTICS
 OPERATING TEMPERATURE: -40°C ~ +85°C
 OPERATING HUMIDITY: 10% ~ 95% RH
 STORAGE TEMPERATURE: -40°C ~ +85°C
 STORAGE HUMIDITY: 10% ~ 95% RH



Contact Key	
C1	VCC
C2	RST
C3	CLK
C4	RFU
C5	GND
C6	Vpp
C7	I/O
C8	RFU



HOW TO ORDER



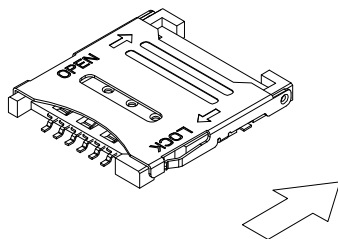
NO. OF CONTACTS: 06
 PACKAGING TYPE: R = TAPE & REEL (1300pcs/REEL)

REV. DATE & DRN
 1.0 19/06/19 - NYW RELEASE

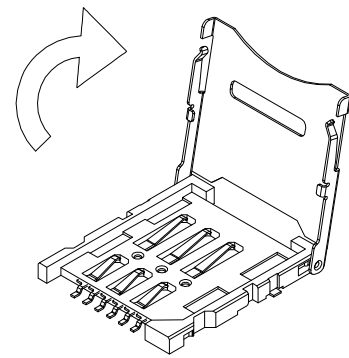
Scale: 1:1	THIRD ANGLE	Unstated Tolerances: XX ± 0.15	Material SEE NOTE	 www.gradconn.com	Type: CH03-HB
Drawn: NYW			NOT TO SCALE		CH03-HB
App'd: XXXX	Title: MICRO SIM CARD ACCEPTOR		Unit: mm		Drawing Number:
Date: 19 JUN. '19	Revision: 1.0				Sheet 1 of 3
				THIS DRAWING IS CONFIDENTIAL AND MUST NOT BE COPIED OR DISCLOSED WITHOUT WRITTEN CONSENT	Drawing E and O E

CH03-HB - Micro SIM Card Connector Hinged Type, 6 Pin, SMT, 1.75mm Profile

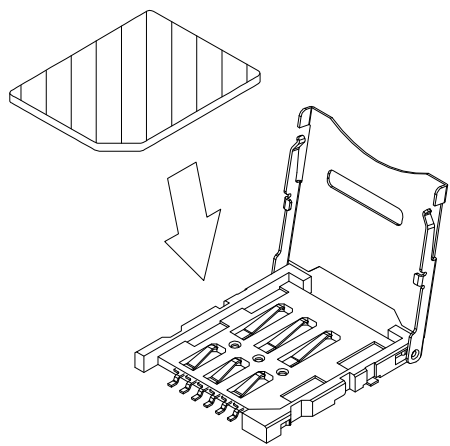
1 Slide metal lid from 'LOCK' position to 'OPEN' position



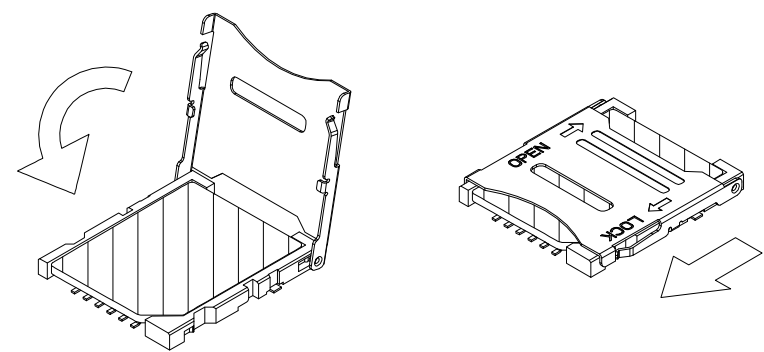
2 Open metal lid to allow Micro SIM card to be inserted




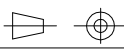
3 Place Micro SIM card against contacts, chip face down



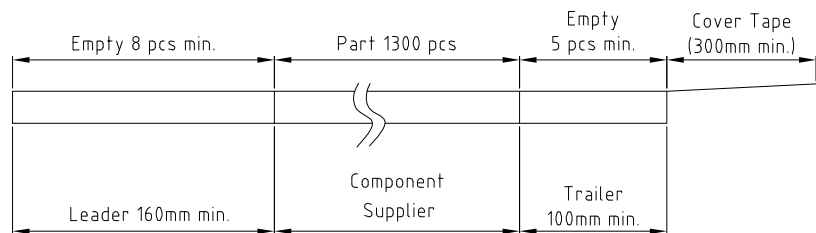
4 Close metal lid and slide back to 'LOCK' position



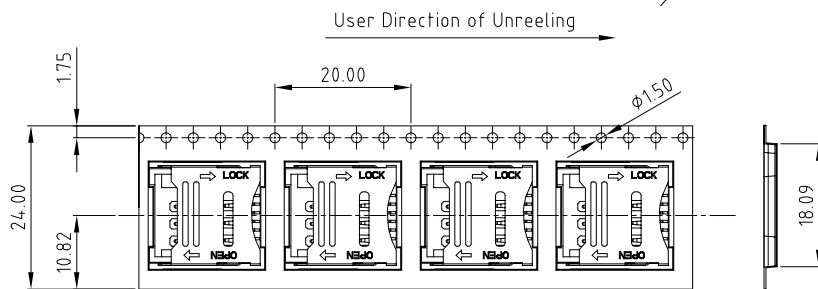
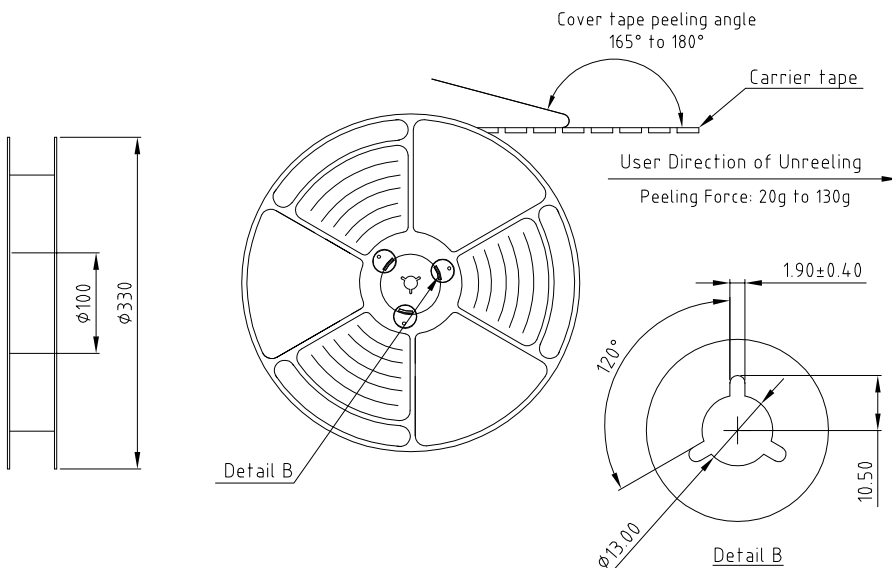
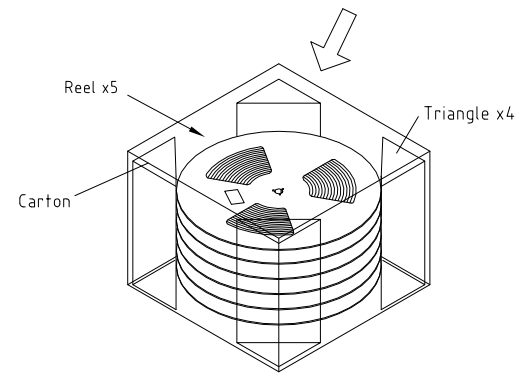
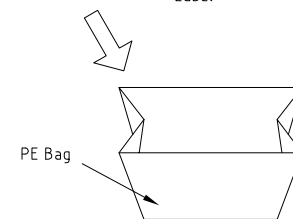
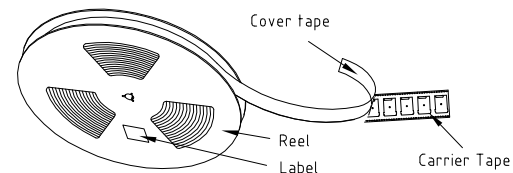
REV. DATE & DRN
TO 11/03/19 - NYW RELEASE

Scale: 1:1	THIRD ANGLE	Unstated Tolerances: XX ± 0.15	Material SEE NOTE	 www.gradconn.com © THIS DRAWING IS CONFIDENTIAL AND MUST NOT BE COPIED OR DISCLOSED WITHOUT WRITTEN CONSENT	Type: CH03-HB
Drawn: NYW			NOT TO SCALE		CH03-HB
App'd: XXXX	Title MICRO SIM CARD ACCEPTOR		Unit: mm		Drawing Number:
Date: 19 JUN. '19	Revision: 1.0				Sheet 2 of 3
					Drawing © E and O E

CH03-HB - Micro SIM Card Connector Hinged Type, 6 Pin, SMT, 1.75mm Profile



Pcs/Reel	Reels/Carton	Pcs/Carton
1300	5	6500



REV. DATE & DRN
TO 11/03/19 - NYW RELEASE

Scale: 1:1	THIRD ANGLE	Unstated Tolerances: XX ± 0.15	Material SEE NOTE
Drawn: NYW			NOT TO SCALE
App'd: XXXX	Title MICRO SIM CARD ACCEPTOR	Unit: mm	
Date: 19 JUN. '19	Revision: 1.0		

www.gradconn.com

THIS DRAWING IS CONFIDENTIAL AND MUST NOT BE COPIED OR DISCLOSED WITHOUT WRITTEN CONSENT

Type: CH03-HB
CH03-HB
Drawing Number:
Sheet 3 of 3
Drawing © E and O E